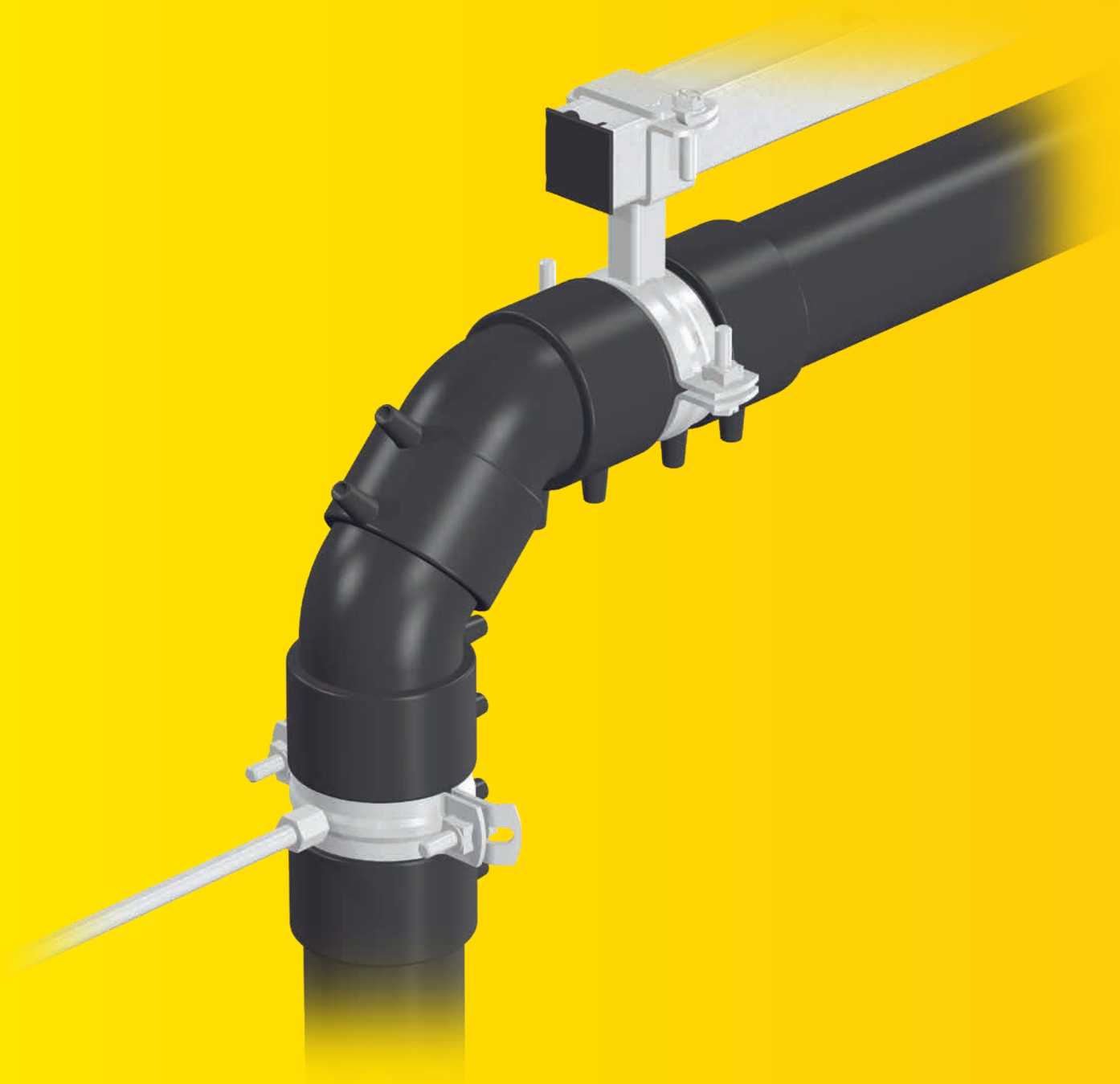


# SitaDSS PE pipe system



- + Impact resistant
- + Thermally resistant
- + Suitable for welding
- + Low weight
- + Good UV light and weather resistance



**SitaDSS PE**  
pipe



**SitaDSS PE**  
45° bend



**SitaDSS PE**  
45° bend - segment bend



**SitaDSS PE**  
88.5° bend



**SitaDSS PE**  
88.5° bend - segment bend



**SitaDSS PE**  
reduction piece



**SitaDSS PE**  
reduction piece (eccentric long)



**SitaDSS PE**  
branch 45°



**SitaDSS PE**  
socket



**SitaDSS PE**  
expansion socket



**SitaDSS PE**  
cleaning piece 88.5°



**SitaDSS PE**  
electrofusion socket



**SitaDSS**  
fire protection sleeve

# SitaDSS PE pipe system

## Product features at a glance:

### Product features

---

Areas of use	To discharge rainwater
Material	Polyethylene, partly tempered
Colour	Black
Finish	Smooth
Sizes	DN 40 to DN 315
Standard	to DIN EN 1519
Heat conductivity	0.38 W/mK
Building material class	B2 normal flammability
Crystal melting range	≥ 130 °C
Average length expansion	0.2 mm/mK
E-Module tightness at 23 °C	1000 MPa
Yield stress	22 MPa
Elongation at break	≥ 350 %
Density	> 0.945 g/cm <sup>3</sup>
Properties	<ul style="list-style-type: none"><li>+ Impact resistant</li><li>+ Thermally resistant</li><li>+ Suitable for welding</li><li>+ Low weight</li><li>+ Good UV and weather resistance</li></ul>
Workmanship	<p>The general rules of engineering as well as the installation examples and installation instructions of Sita Bauelemente GmbH form the basis. The installation examples are for illustration purposes only and are a general, non-binding recommendation. The design is shown in schematic form only and does not replace the necessary work, detail and installation planning by the contractor. The customer, planner, contractor, etc. is responsible for checking the suitability, completeness and dimensions for the project and adjusting or tailoring the components to suit local requirements. Neighbouring works are shown in schematic form with no guarantee of their being complete or correct. The technical specifications in the information sheets, workmanship guidelines and system permits must be adhered to.</p>

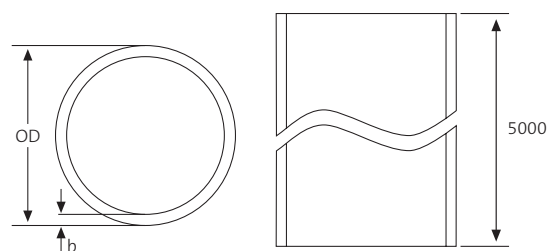
# SitaDSS PE pipe



## Tender text

**SitaDSS PE** rainwater pipes made of polyethylene, length 5 m, tempered, with smooth ends, for rainwater pipes inside buildings to DIN EN 1519, supply and installation to professional standards.

## Technical drawing



## Nominal diameters, dimensions and article numbers

Size DN	OD	b (mm)	kg/m	max. vacuum (i.mbar)	Article number
40	40	3.0	0.370	-800	80 00 40 00
50	50	3.0	0.460	-800	80 00 50 00
56	56	3.0	0.530	-800	80 00 56 00
63	63	3.0	0.595	-800	80 00 63 00
75	75	3.0	0.740	-800	80 00 75 00
90	90	3.5	0.980	-800	80 00 90 00
110	110	4.3	1.450	-800	80 00 11 00
125	125	4.9	1.860	-800	80 00 12 00
160	160	6.2	3.080	-800	8000 16 00
200	200	7.7	4.690	-800	80 00 20 01
250	250	9.6	7.300	-800	80 00 25 01
315	315	12	11.600	-800	80 00 31 01

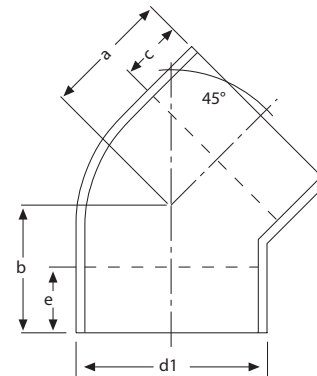
# SitaDSS PE 45° bend



## Tender text

**SitaDSS PE bend 45°** made of polyethylene, with smooth ends, for rainwater pipes inside buildings to DIN EN 1519, supply and installation to professional standards.

## Technical drawing



## Nominal diameters, dimensions and article numbers

Size DN	d1 (mm)	a (mm)	b (mm)	c (mm)	e (mm)	Article number
40	40	45	45	20	20	80 04 45 40
50	50	45	45	20	20	80 04 45 50
56	56	45	45	20	20	80 04 45 56
63	63	50	50	20	20	80 04 45 63
75	75	50	50	20	20	80 04 45 75
90	90	55	55	20	20	80 04 45 90
110	110	65	65	25	25	80 04 45 11
125	125	65	65	25	25	80 04 45 12
160	160	69	69	20	20	80 04 45 16

# SitaDSS PE

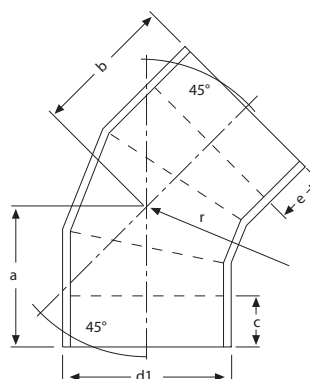
## 45° bend in segment bend form



### Tender text

**SitaDSS PE bend 45° in segment bend form** made of polyethylene, with smooth ends, for rainwater pipes inside buildings to DIN EN 1519, supply and installation to professional standards.

### Technical drawing



### Nominal diameters, dimensions and article numbers

Size DN	d1 (mm)	a (mm)	b (mm)	c (mm)	e (mm)	r (mm)	Article number
200	200	200	200	75	75	420	80 04 45 20
250	250	220	220	30	30	430	80 04 45 25
315	315	220	220	30	30	440	80 04 45 31

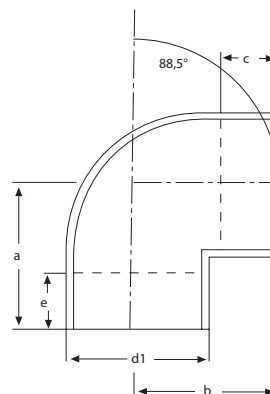
# SitaDSS PE 88.5° bend



## Tender text

**SitaDSS PE bend 88.5°** made of polyethylene, with smooth ends, for rainwater pipes inside buildings to DIN EN 1519, supply and installation to professional standards.

## Technical drawing



## Nominal diameters, dimensions and article numbers

Size DN	d1 (mm)	a (mm)	b (mm)	c (mm)	e (mm)	Article number
40	40	50	50	20	20	80 04 88 40
50	50	60	60	20	20	80 04 88 50
56	56	65	65	20	20	80 04 88 56
63	63	70	70	20	20	80 04 88 63
75	75	75	75	20	20	80 04 88 75
90	90	80	80	20	20	80 04 88 90
110	110	95	95	25	25	80 04 88 11
125	125	103	103	35	35	80 04 88 12
160	160	123	123	35	35	80 04 88 16

# SitaDSS PE

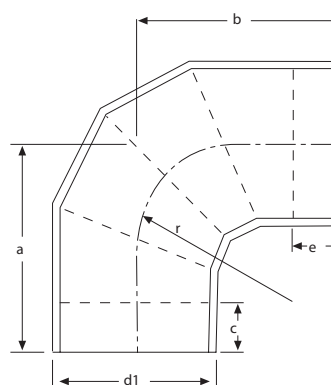
## 88.5° bend in segment bend form



### Tender text

**SitaDSS PE bend 88.5° in segment bend form** made of polyethylene, with smooth ends, for rainwater pipes inside buildings to DIN EN 1519, supply and installation to professional standards.

### Technical drawing



### Nominal diameters, dimensions and article numbers

Size DN	d1 (mm)	a (mm)	b (mm)	c (mm)	e (mm)	r (mm)	Article number
200	200	300	300	75	75	240	80 04 88 20
250	250	335	335	30	30	320	80 04 88 25
315	315	370	370	30	30	350	80 04 88 31



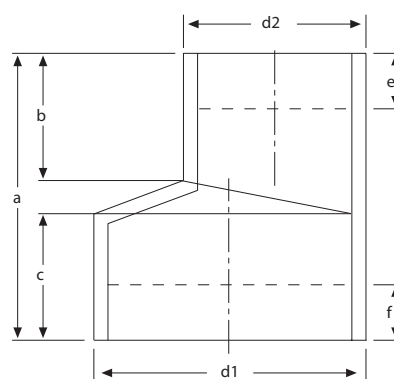
# SitaDSS PE eccentric reduction piece



## Tender text

**SitaDSS PE reduction piece** made of polyethylene, with smooth ends, for rainwater pipes inside buildings to DIN EN 1519, supply and installation to professional standards.

## Technical drawing



## Nominal diameters, dimensions and article numbers

d1 (mm)	d2 (mm)	a (mm)	b (mm)	c (mm)	e (mm)	f (mm)	Article number
50	40	80	35	35	20	20	80 01 50 40
56	40	80	37	35	20	20	80 01 56 40
56	50	80	37	35	20	20	80 01 56 50
63	40	80	37	35	20	20	80 01 63 40
63	50	80	37	35	20	20	80 01 63 50
63	56	80	40	35	20	20	80 01 63 56
75	40	80	37	35	20	20	80 01 75 40
75	50	80	37	35	20	20	80 01 75 50
75	56	80	37	35	20	20	80 01 75 56
75	63	80	35	35	20	20	80 01 75 63
90	40	80	37	35	20	20	80 01 90 40
90	50	80	37	35	20	20	80 01 90 50
90	56	80	37	35	20	20	80 01 90 56
90	63	80	37	35	20	20	80 01 90 63
90	75	80	37	35	20	20	80 01 90 75
110	40	80	37	35	20	20	80 01 11 40
110	50	80	37	35	20	20	80 01 11 50
110	56	80	37	35	20	20	80 01 11 56
110	63	80	37	35	20	20	80 01 11 63
110	75	80	37	35	20	20	80 01 11 75
110	90	80	37	35	20	20	80 01 11 90
125	50	80	37	35	20	20	80 01 12 50
125	56	80	37	35	20	20	80 01 12 56
125	63	80	37	35	20	20	80 01 12 63
125	75	80	37	35	20	20	80 01 12 75
125	90	80	37	35	20	20	80 01 12 90
125	110	80	37	35	20	20	80 01 12 11
160	110	80	37	35	20	20	80 01 16 11
160	125	80	37	35	20	20	80 01 16 12

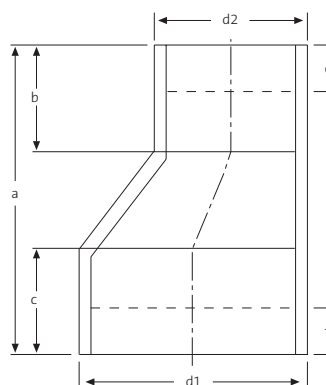
# SitaDSS PE reduction piece (eccentric long)



## Tender text

**SitaDSS PE reduction piece** made of polyethylene, with smooth ends, for rainwater pipes inside buildings to DIN EN 1519, supply and installation to professional standards.

## Technical drawing



## Nominal diameters, dimensions and article numbers

d1 (mm)	d2 (mm)	a (mm)	b (mm)	c (mm)	e (mm)	f (mm)	Article number
200	110	285	40	80	50	10	80 02 20 11
200	125	285	40	80	50	10	80 02 20 12
200	160	210	37	80	50	10	80 02 20 16
250	200	405	140	160	100	100	80 02 25 20
315	200	540	140	160	100	100	80 02 31 20
315	250	450	150	160	100	100	80 02 31 25

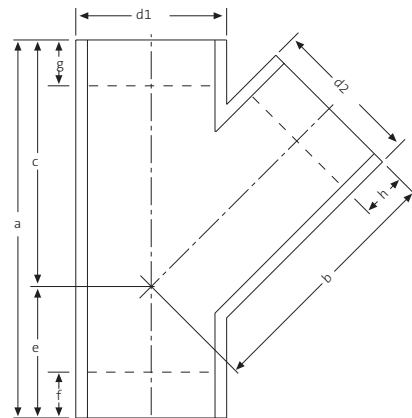
# SitaDSS PE branch 45°



## Tender text

**SitaDSS PE branch 45°** made of polyethylene, with smooth ends, for rainwater pipes inside buildings to DIN EN 1519, supply and installation to professional standards.

## Technical drawing



## Nominal diameters, dimensions and article numbers

d1/d2 (mm)	a (mm)	b (mm)	c (mm)	e (mm)	f (mm)	g (mm)	Article number
40/40	135	90	90	45	25	30	80 05 40 40
50/40	165	110	110	55	40	45	80 05 50 40
50/50	165	110	110	55	35	20	80 05 50 50
56/40	180	120	120	60	60	35	80 05 56 40
56/50	180	120	120	60	40	30	80 05 56 50
56/56	180	120	120	60	40	25	80 05 56 56
63/40	195	130	130	65	40	30	80 05 63 40
63/50	195	130	130	65	40	30	80 05 63 50
63/56	195	130	130	65	40	25	80 05 63 56
63/63	195	130	130	65	40	25	80 05 63 63
75/40	210	140	140	70	60	40	80 05 75 40
75/50	210	140	140	70	60	40	80 05 75 50
75/56	210	140	140	70	55	35	80 05 75 56
75/63	210	140	140	70	55	35	80 05 75 63
75/75	210	140	140	70	40	25	80 05 75 75
90/40	240	160	160	80	80	50	80 05 90 40
90/50	240	160	160	80	80	50	80 05 90 50
90/56	240	160	160	80	75	45	80 05 90 56
90/63	240	160	160	80	65	25	80 05 90 63
90/75	240	160	160	80	65	25	80 05 90 75
90/90	240	160	160	80	50	20	80 05 90 90
110/40	270	180	180	90	95	55	80 05 11 40

d1/d2 (mm)	a (mm)	b (mm)	c (mm)	e (mm)	f (mm)	g (mm)	Article number
110/50	270	180	180	90	95	55	80 05 11 50
110/56	270	180	180	90	90	45	80 05 11 56
110/63	270	180	180	90	80	40	80 05 11 63
110/75	270	180	180	90	75	35	80 05 11 75
110/90	270	180	180	90	65	30	80 05 11 90
110/110	270	180	180	90	55	20	80 05 11 11
125/40	300	200	200	100	95	50	80 05 12 40
125/50	300	200	200	100	95	50	80 05 12 50
125/56	300	200	200	100	95	50	80 05 12 56
125/63	300	200	200	100	95	50	80 05 12 63
125/75	300	200	200	100	95	50	80 05 12 75
125/90	300	200	200	100	80	30	80 05 12 90
125/110	300	200	200	100	70	25	80 05 12 11
125/125	300	200	200	100	60	20	80 05 12 12
160/50	375	250	250	125	65	120	80 05 16 50
160/56	375	250	250	125	65	120	80 05 16 56
160/63	375	250	250	125	65	120	80 05 16 63
160/75	375	250	250	125	65	120	80 05 16 75
160/90	375	250	250	125	55	110	80 05 16 90
160/110	375	250	250	125	110	55	80 05 16 11
160/125	375	250	250	125	100	50	80 05 16 12
160/160	375	250	250	125	75	25	80 05 16 16
*200/50	490	360	310	180	165	80	80 05 20 50
*200/56	490	360	310	180	165	80	80 05 20 56
*200/63	490	360	310	180	165	80	80 05 20 63
*200/75	540	310	310	180	165	80	80 05 20 75
*200/90	540	355	360	180	165	80	80 05 20 90
*200/110	540	360	360	180	150	65	80 05 20 11
*200/125	540	360	360	180	140	55	80 05 20 12
*200/160	540	360	360	180	115	35	80 05 20 16
*200/200	540	360	360	180	85	10	80 05 20 20
*250/50	660	440	440	220	215	150	80 05 25 50
*250/56	660	440	440	220	215	150	80 05 25 56
*250/63	660	440	440	220	215	150	80 05 25 63
*250/75	660	440	440	220	215	150	80 05 25 75
*250/90	660	440	440	220	215	150	80 05 25 90
*250/110	660	440	440	220	215	150	80 05 25 11
*250/125	660	440	440	220	205	140	80 05 25 12
*250/160	660	440	440	220	180	50	80 05 25 16
*250/200	660	440	440	220	150	90	80 05 25 20
*250/250	660	440	440	220	115	55	80 05 25 25
*315/110	840	560	560	280	305	235	80 05 31 11
*315/125	840	560	560	280	290	220	80 05 31 12
*315/160	840	560	560	280	270	200	80 05 31 16
*315/200	840	560	560	280	240	175	80 05 31 20
*315/250	840	560	560	280	205	140	80 05 31 25
*315/315	840	560	560	280	160	95	80 05 31 31

\* Segment welded

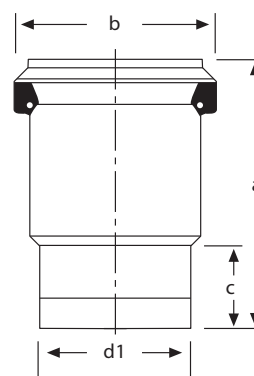
# SitaDSS PE socket



## Tender text

**SitaDSS PE socket** made of polyethylene, with smooth ends, for rainwater pipes inside buildings to DIN EN 1519, supply and installation to professional standards.

## Technical drawing



## Nominal diameters, dimensions and article numbers

d1 (mm)	a (mm)	b (mm)	c (mm)	Article number
50	65	66.5	13	81 12 50 50
75	90	92	17	81 12 75 75
90	90	108	17	81 12 90 90
110	95	130	17	81 12 11 11
125	95	149	15	81 12 12 12
160	130	188	30	81 12 16 16

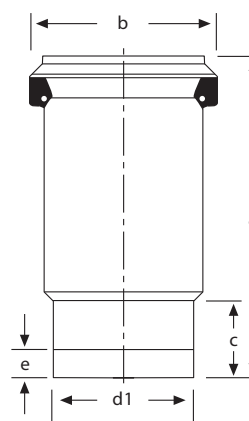
# SitaDSS PE expansion socket



## Tender text

**SitaDSS PE expansion socket** made of polyethylene, with smooth ends, for rainwater pipes inside buildings to DIN EN 1519, supply and installation to professional standards.

## Technical drawing



## Nominal diameters, dimensions and article numbers

d1 (mm)	a (mm)	b (mm)	c (mm)	e (mm)	Article number
40	235	81	56	40	84 12 40 40
50	235	90	50	40	84 12 50 50
56	235	96	56	40	84 12 56 56
63	235	109	56	40	84 12 63 63
75	235	117	54	40	84 12 75 75
90	255	140	46	20	84 12 90 90
110	235	154	53	40	84 12 11 11
125	260	192	72	40	84 12 12 12
160	350	228	80	40	84 12 16 16
200	440	280	183	100	84 12 20 20
250	480	350	183	100	84 12 25 25
315	480	350	183	100	84 12 31 31

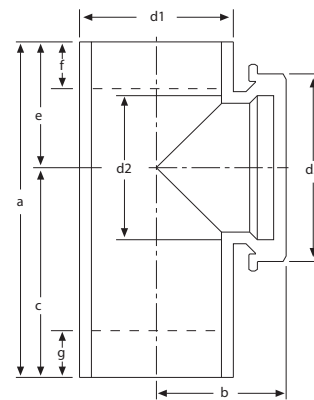
# SitaDSS PE cleaning piece 88.5°



## Tender text

**SitaDSS PE cleaning piece 88.5°** made of polyethylene, with smooth ends, for rainwater pipes inside buildings to DIN EN 1519, supply and installation to professional standards.

## Technical drawing



## Nominal diameters, dimensions and article numbers

d1/d2 (mm)	a (mm)	b (mm)	c (mm)	d3 (mm)	e (mm)	f (mm)	g (mm)	Article number
40/40	130	75	69	54	55	20	45	80 08 40 40
50/50	150	90	75	70	60	25	55	80 08 50 50
56/56	175	105	84	85	70	30	65	80 08 56 56
63/63	175	100	80	82	75	25	60	80 08 63 63
75/75	175	105	117	117	70	25	55	80 08 75 75
90/90	200	120	125	123	80	25	70	80 08 90 90
110/110	240	140	94	146	100	20	65	80 08 11 11
125/110	250	150	124	146	100	20	70	80 08 12 11
160/110	350	210	145	146	140	30	105	80 08 16 11
200/110	360	180	165	146	180	25	180	80 08 20 11
250/110	440	220	190	146	220	40	220	80 08 25 11
315/110	560	280	225	146	280	70	280	80 08 31 11
<b>Version with longer pipe segment on one side</b>								
110/110	1000	115	-	140	90	20	-	80 09 11 11
125/110	1000	120	-	140	100	30	-	80 09 12 11
160/110	1000	140	-	140	140	60	-	80 09 16 11
200/110	1000	160	-	140	180	90	-	80 09 20 11
250/110	1000	185	-	140	220	110	-	80 09 25 11
315/110	1000	220	-	140	280	170	-	80 09 31 11

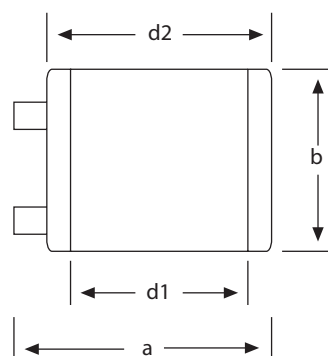
# SitaDSS PE electrofusion socket



## Tender text

**SitaDSS PE electrofusion socket** made of polyethylene, tempered, for welding SitaDSS rainwater pipes and form pieces, for rainwater pipes inside buildings to DIN EN 1519, supply and installation to professional standards.

## Technical drawing



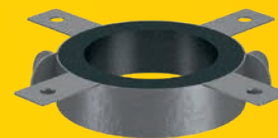
## Nominal diameters, dimensions and article numbers

Size DN	d1 (mm)	d2 (mm)	a (mm)	b (mm)	Article number
40	40	52	68	64	80 10 00 40
50	50	63	80	60	80 10 00 50
56	56	70	86	60	80 10 00 56
63	63	77	92	60	80 10 00 63
75	75	90	105	60	80 10 00 75
90	90	106	121	60	80 10 00 90
110	110	126	143	60	80 10 00 11
125	125	142	158	60	80 10 00 12
160	160	178	194	60	80 10 00 16
200	200	233	248	175	80 10 00 20
250	250	283	300	175	80 10 00 25
315	315	349	365	175	80 10 00 31



# SitaDSS

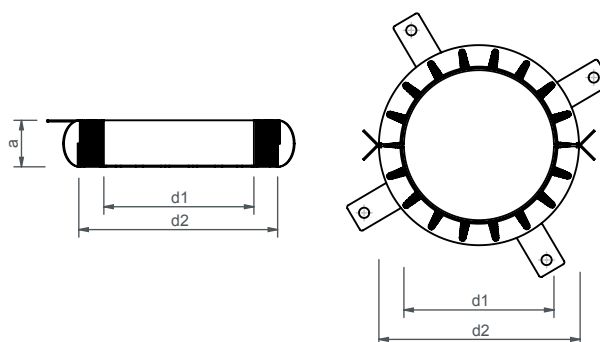
## fire protection sleeve



### Tender text

**Pipe fire retarding sleeve** to ETAG 026 Part 2:2008-01-01 in fire resistance class EI 120-U/U or EI 240-U/C to EN 13501-2 for fire safety retarding of flammable pipes to ETA-11/0208, dated 22 June 2011. For closing down of openings of inner walls of minimum 100 mm thickness and ceilings of minimum 150 mm thickness, classified to EN 13501-2. For the prevention of transmission of fire and smoke. Supply and installation to professional standards.

### Technical drawing



### Nominal diameters, dimensions and article numbers

DN	da (mm)	H (mm)	Fixing points	Article number
40	58	26.0	2	80 13 00 40
50	68	26.0	2	80 13 00 50
56/63	94	26.0	4	80 13 56 63
75	106	26.0	4	80 13 00 75
90	133	26.6	4	80 13 00 90
110	155	26.6	4	80 13 00 11
125	172	40.0	4	80 13 00 12
160	220	40.0	6	80 13 00 16
200	284	40.0	7	80 13 00 20
250	336	61.5	10	80 13 00 25
315	417	51.5	12	80 13 00 31

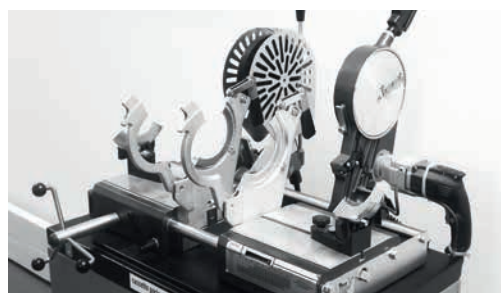
Scope of supply: Fire protection sleeve and installation label

# Welding sets for hire

## SitaDSS mirror welding set

Mirror welding set for welding PE pipes and shaped parts in sizes DN 40 to 315 to DVS Guideline 2207.

Article number
80 15 31 51



## SitaDSS electric welding set

"Universal welding set S-315" for welding SitaDSS electrofusion sockets DN 40 to 315 to DVS Guideline 2207 (including pipe scraper).

Article number
80 15 31 50



## Pipe scraper

Pipe scraper for treating PE pipes.

Article number
80 10 11 00



## Cleaner

Cleaner for cleaning PE pipes and shaped parts for welding.

Article number
80 10 22 00

# SitaDSS assembling technology for PE pipes



- + Mounting rail and ready-assembled pipe clamps for fast, expert PE pipe installation
- + Installation equipment to absorb the high mechanical and thermal stresses in the siphonic drainage system



**SitaDSS Rail**  
mounting rail 41 x 41



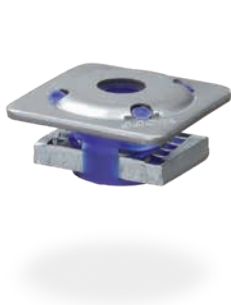
**SitaDSS Rail**  
mounting rail 41 x 62



**SitaDSS Rail SK**  
rail coupling



**SitaDSS Rail SK Combi**  
rail coupling



**SitaDSS Rail**  
rigid suspension unit



**SitaDSS Rail**  
fixing kit



**SitaDSS Clamp**  
Mounting rail fastening  
pipe clamp



**SitaDSS Single**  
suspension unit  
pipe clamp



**SitaDSS Down**  
vertical fastening  
pipe clamp



**SitaDSS Down**  
base plate



**SitaDSS Down**  
threaded pipe

# SitaDSS assembling technology for PE pipes

## Product features at a glance:

### Product features

---

<b>Areas of use</b>	<b>For fastening the SitaDSS PE pipe system</b>
<b>Material</b>	<b>Galvanised steel</b>
<b>Colour</b>	<b>Silver</b>
<b>Surface</b>	<b>With no sharp edges</b>
<b>Building material class</b>	<b>A1 non-flammable</b>
<b>Properties</b>	<b>+ Fast, expert PE pipe installation</b> <b>+ To absorb the high mechanical and thermal stresses in the siphonic drainage system</b>
<b>Workmanship</b>	<b>The general rules of engineering as well as the intallation examples and installation instructions of Sita Bauelemente GmbH form the basis. The installation examples are for illustration purposes only and are a general, non-binding recommendation. The design is shown in schematic form only and does not replace the necessary work, detail and installation planning by the contractor. The customer, planner, contractor, etc. is responsible for checking the suitability, completeness and dimensions for the project and adjusting or tailoring the components to suit local requirements. Neighbouring works are shown in schematic form with no guarantee of their being complete or correct. The technical specifications in the information sheets, workmanship guidelines and system permits must be adhered to.</b>

# SitaDSS Rail mounting rail



## Tender text

**SitaDSS Rail mounting rail**, with internal tothing and perforations, surface galvanised (Sendzimir process), for mounting freely installed horizontal pipelines and to support SitaDSS Clamp pipe clamps. Supplied complete and installation to professional standards on basis of the Sita installation instructions.

**SitaDSS Rail SK rail coupling** for the full extension of the SitaDSS Rail 41 x 62 x 2.5 mm or the SitaDSS Rail 41 x 41 x 2.0 mm, made of galvanised steel. Supplied complete and installation to professional standards on basis of the Sita installation instructions.

**SitaDSS Rail SK Combi rail coupling** for the full extension of the SitaDSS Rail 41 x 62 x 2.5 mm using the SitaDSS Rail 41 x 41 x 2.0 mm, made of galvanised steel. Supplied complete and installation to professional standards on basis of the Sita installation instructions.

## Type, dimensions and article numbers

Type	Dimensions (mm)	Article number
SitaDSS Rail 41/41	41 x 41 x 2.0	84 00 41 41
SitaDSS Rail 41/62	41 x 62 x 2.5	84 00 41 62

## Type, coupling and article numbers

Type	Coupling for SitaDSS Rail	Article number
SitaDSS Rail SK	Identical size	84 01 41 41
SitaDSS Rail SK Combi	41 x 41 with 41 x 62	84 01 41 62

# SitaDSS Rail rigid suspension unit



## Tender text

---

**SitaDSS Rail suspension unit** for mounting rail: Elements to support a threaded rod M10 to connect building fastening and horizontal auxiliary rail. Supplied complete and installation to professional standards on basis of the Sita installation instructions..

## Type and article numbers

Type	Article number
SitaDSS Rail rigid suspension unit M10	84 03 41 41

# SitaDSS Rail fixing kit



## Tender text

---

**SitaDSS fixing kit**, fastening unit for the SitaDSS Rail to the building structure, consisting of hammer head screw, 2 joints and various small parts. To fix the mounting rail at the start and the end of the flow channel and to every second joist of the building. Supplied complete and installation to professional standards on basis of the Sita installation instructions.

## Type and article numbers

Type	Article number
SitaDSS fixing kit	84 15 41 41



# SitaDSS Clamp

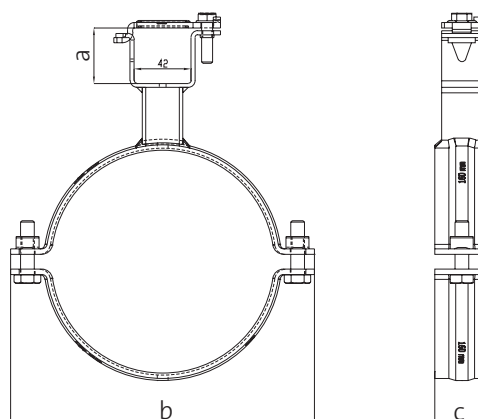
## mounting rail fastening pipe clamp



### Tender text

**SitaDSS Clamp**, ready-assembled fastening unit without insert for fast installation of PE pipes at a defined spacing and the constructively required points of the SitaDSS PE pipe system. Suitable for internal, horizontal pipes. Supplied complete and installation to professional standards on basis of the Sita installation instructions.

### Technical drawing



### Nominal diameters, dimensions and article numbers

DN	a (mm)	b (mm)	c (mm)	Clamp screw	Wrench size	Weight in g.	Article number
40	41	84	30	M 6	10	353	84 10 00 40
50	41	98	30	M 6	10	375	84 10 00 50
56	41	103	30	M 6	10	386	84 10 00 56
63	41	111	30	M 6	10	403	84 10 00 63
75	41	136	30	M 8	13	472	84 10 00 75
90	41	147	30	M 8	13	503	84 10 00 90
110	41	174	30	M 8	13	562	84 10 00 11
125	41	189	30	M 8	13	591	84 10 00 12
160	41	225	40	M 10	17	1055	84 10 00 16
200	41	265	40	M 10	17	1201	84 10 00 20
250	62	310	40	M 10	17	1395	84 10 01 25
315	62	376	40	M 10	17	1648	84 10 01 31

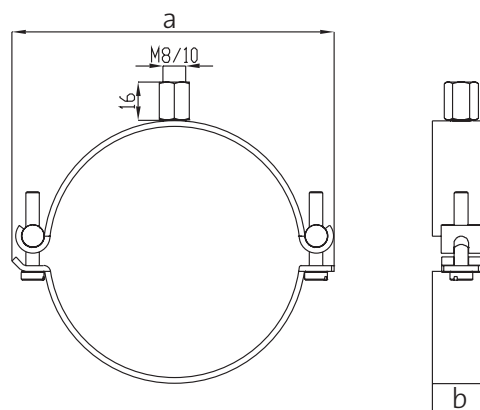
# SitaDSS Single suspension unit pipe clamp



## Tender text

**SitaDSS Single**, ready-assembled fastening unit for individual mounting without insert for fast installation of PE pipes at a defined spacing and the constructively required points of the SitaDSS PE pipe system. Suitable for internal, horizontal pipes. Supplied complete and installation to professional standards on basis of the Sita installation instructions.

## Technical drawing



## Nominal diameters, dimensions and article numbers

DN	a (mm)	Clamp screw	b (mm)	Weight in g.	Article number
40	65	M 5	20	76	84 30 00 40
50	77	M 5	20	93	84 30 00 50
56	89	M 5	20	56	84 30 00 56
63	89	M 5	20	102	84 30 00 63
75	107	M 6	25	166	84 30 00 75
90	121	M 6	25	185	84 30 00 90
110	143	M 6	25	221	84 30 00 11
125	163	M 6	25	248	84 30 00 12
160	193	M 6	25	306	84 30 00 16

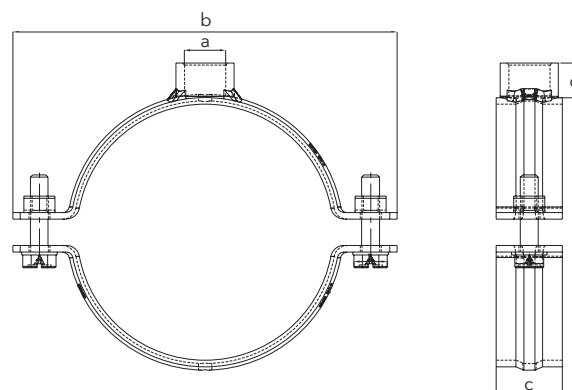
# SitaDSS Down vertical fastening pipe clamp



## Tender text

**SitaDSS Down vertical fastening**, pipe clamp with internal thread for vertical fastening without insert. Two-piece clamp with 1/2" and 1" connectors for a simple fixed point fastening of the fall pipe. Suitable as a fastening for internal pipes for a SitaDSS siphonic drainage system with no sound insulation. Supplied complete and installation to professional standards on basis of the Sita installation instructions.

## Technical drawing



## Nominal diameter, dimensions and article numbers

DN	a	b (mm)	c (mm)	d (mm)	Clamp screw	Wrench size	Weight in g.	Article number
40	1/2"	84	30	15	M 6	10	171	84 40 00 40
50	1/2"	98	30	15	M 6	10	195	84 40 00 50
56	1/2"	103	30	15	M 6	10	200	84 40 00 56
63	1/2"	111	30	15	M 6	10	212	84 40 00 63
75	1/2"	136	30	15	M 8	13	300	84 40 00 75
90	1/2"	147	30	15	M 8	13	327	84 40 00 90
110	1/2"	174	30	15	M 8	13	368	84 40 00 11
125	1/2"	189	30	15	M 8	13	412	84 40 00 12
160	1"	225	40	20	M 10	17	875	84 40 00 16
200	1"	265	40	20	M 10	17	1044	84 40 00 20
250	1"	310	40	20	M 10	17	1192	84 40 00 25
315	1"	376	40	20	M 10	17	1508	84 40 00 31

# SitaDSS Down threaded pipe

# SitaDSS Down base plate



## Tender text

**SitaDSS Down threaded pipe** to connect the SitaDSS Down vertical fastening to the SitaDSS Down Base plate, in sizes 1/2" or 1". Supplied complete and installation to professional standards on basis of the Sita installation instructions.

**SitaDSS Down base plate** to support the SitaDSS Down threaded pipe in sizes 1/2" or 1". Supplied complete and installation to professional standards on basis of the Sita installation instructions.

## Type, connection and article numbers

Type	Connection	Article number
SitaDSS Down threaded pipe 2.0 m	1/2"	94 15 11 02
SitaDSS Down threaded pipe 2.0 m	1"	93 15 11 20
SitaDSS Down Base	1/2"	84 50 05 00
SitaDSS Down Base	1"	84 50 10 08